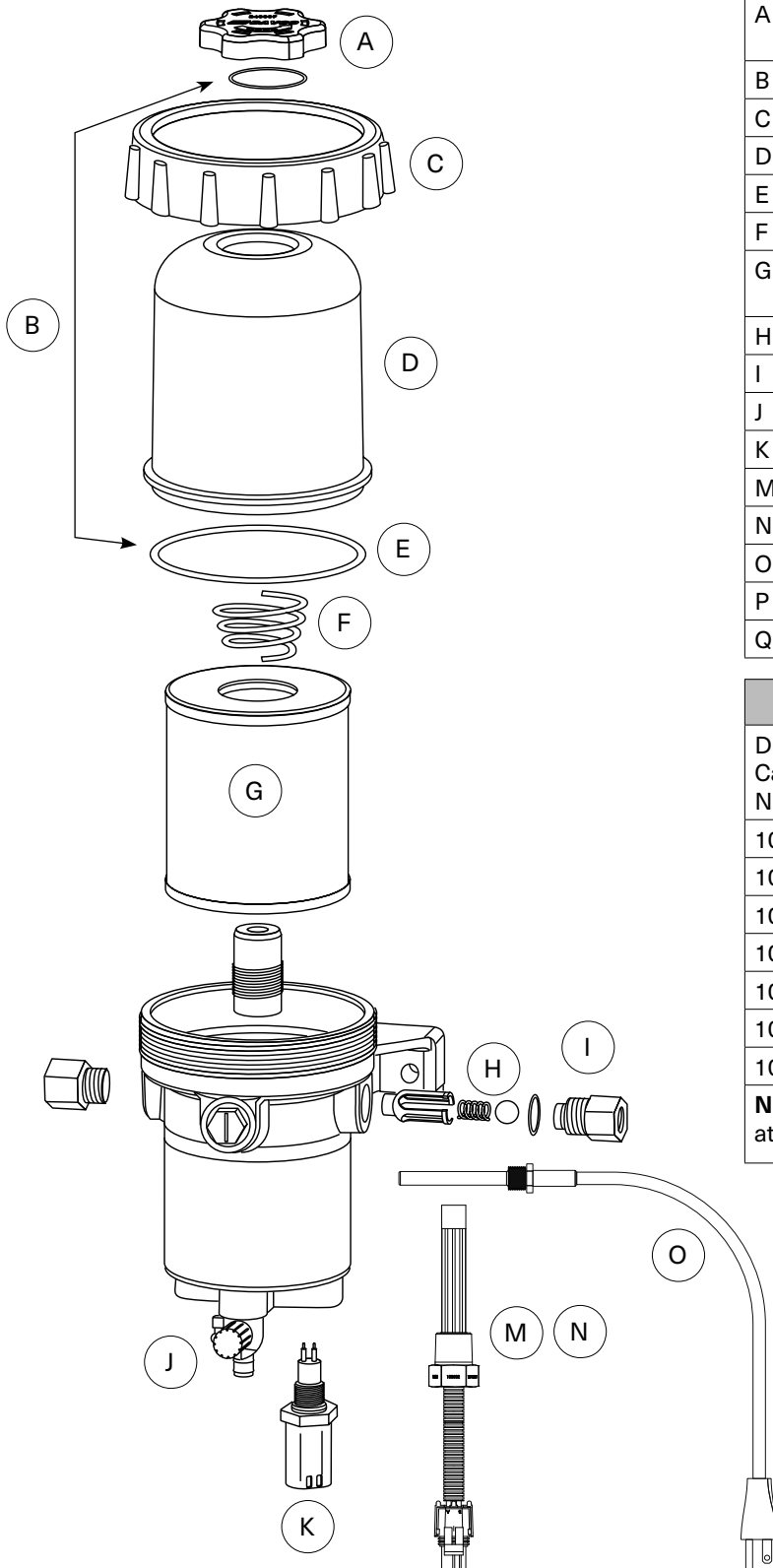


Call customer support for OEM Part Numbers.



	Part Name	Part Number
A	Vent Cap Service Kit (Vent cap and seal)	240023
B	O-ring Service Kit	232009
C	Collar	232001
D	Cover	232010
E	Cover Seal included with 232009	
F	Filter Spring	380056
G	Filter Element: Refer to www.davco.com -Form Number: F1317, Diesel Pro 232 and 234 Filter Selection Guide	
H	Check Valve Service Kit	101824
I	Check Valve Fitting	101930
J	Drain Valve	101332
K	Water In Filter (WIF) Sensor	102507
M	Pre-heater 12 VDC	103532
N	Pre-heater 24 VDC	103554
O	Pre-heater 120 VAC	101813
P	Collar Wrench-metal	232007
Q	Collar Wrench-plastic	232002

Diverter Caps			
Diverter Cap Part Number	Required Filter Head Stud Size	Require Filter Head Seal ID	Required Filter Head Seal OD
101480	1"-14	2.475"	2.895"
101589	1"-14	3.225"	3.435"
102226	M16 x 1.5	2.475"	2.895"
101466	3/4" x 16	2.475"	2.895"
101492	7/8" x 14	2.475"	2.895"
101721	M18 x 1.5	2.475"	2.895"
101592	13/16" x 12	3.225"	3.235"

Note: For additional Diverter Caps, contact DAVCO Technology at 800-328-2611.

