

FUEL PRO[®] 485

PRODUCT DATA SHEET

DAVCO FUEL PRO 485 is an all-in-one fuel filter, water separator, and fuel pre-heater for heavy duty on-highway diesel engines with flow rates up to 180 gallons per hour.

The Fuel Pro 485, with an optional pre-heater, overnight heater and water-in-fuel sensor will keep the engine running in any weather conditions.

Three layer filter design, with filtration to 10 microns, provides enhanced water separation capabilities for ultra-low sulfur diesel fuel with low interfacial tension.

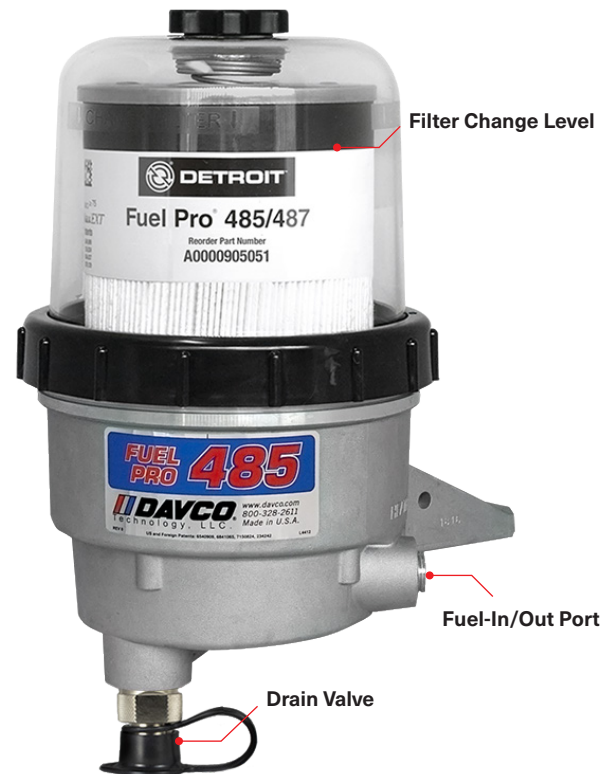
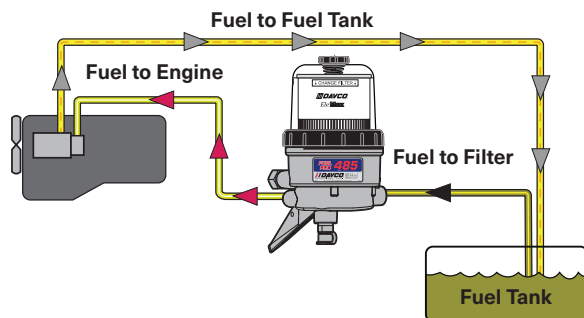
Applications

- Detroit DD13, DD15, DD16
- Cummins X15
- New Cascadia

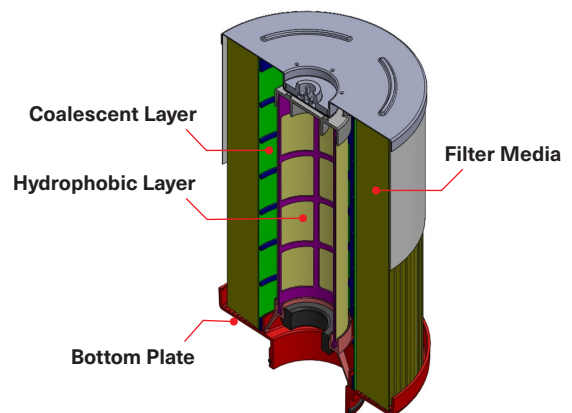
Models and Options

- Base Model - Unheated
- Electric Heat
 - 12VDC or 24VDC Pre-heater
 - 120VAC Overnight heater
- Water-In-Fuel (WIF) sensor

Typical Installation



Filter Technology



A **Clariance Technologies** Company

DAVCO Technology, LLC

1600 Woodland Drive, Saline, MI 48176-1629

800-328-2611

customerservice@davco.com

www.davco.com

FUEL PRO® 485

Specifications

| | |
|---------------------------------|---|
| Height, Overall, Unheated Model | 15.54 in. (394.8 mm) |
| Depth, Overall | 10.34 in. (262.63 mm) |
| Width, Maximum | 11.62 in. (295.14 mm) |
| Weight, Dry | Approx. 11 lbs |
| Minimum Service Height | 5.5 in. (139.7 mm) |
| Max Fuel Flow | 180 gph |
| Pre-heater | 12VDC (155W or 195W) or 24VDC (195W) |
| Overnight heater | 120VAC, 75W, .65A |

Filtration Performance (10 micron at 174 GPH)

| | |
|---|------|
| Micron | 10 |
| Coarse water removal (%) | >99% |
| Emulsified water removal (%) | >93% |
| % Emulsified water removal (end of life filter) | >80% |
| Dirt holding capacity (grams) | 150 |

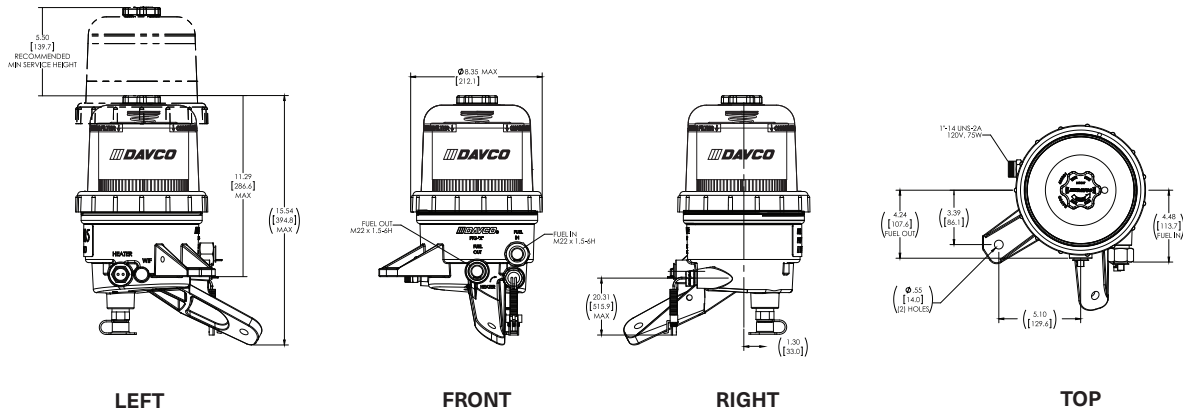
Port Interface

| | |
|----------|-------------|
| Fuel In | M22 x 15-6H |
| Fuel Out | M22 x 15-6H |

Dimensions

Dimensions are in inches [millimeters]

Mounting Hole Distance: 3.963 [99.9]
Mounting Hole Openings: .531 [13.05]



Sales Codes

| New Cascadia | | |
|----------------------------------|----------------------|---|
| Sales Codes | DAVCO P/N | Description |
| 122-1J3 | 485150FTL-10 | Fuel Pro 485 |
| 122-1J4 | 485152FTL-10 | Fuel Pro 485 w/12V Pre Heater |
| 122-1J5 | 485162FTL-10 | Fuel Pro 485 w/12V Pre Heater and 120V Overnight Heater |
| 122-1J6 | 485150FTLE-10 | Fuel Pro 485 w/Black Band, Red Stripe Cover |
| 122-1J7 | 485152FTLE-10 | Fuel Pro 485 w/ 12V Pre Heater and Black Band, Red Stripe Cover |
| 122-1J8 | 485162FTLE-10 | Fuel Pro 485 w/12V Pre Heater, 120V Overnight Heater and Black Band, Red Stripe Cover |
| New Cascadia with Cummins Engine | | |
| Sales Codes | DAVCO P/N | Description |
| 122-1J9 | 486151FTL-10 | Fuel Pro 486 w/ Water-In-Fuel Sensor (WIF) |
| 122-1K0 | 486153FTL-10 | Fuel Pro 486 w/12V Pre Heater and Water-In-Fuel Sensor (WIF) |
| 122-1K1 | 486163FTL-10 | Fuel Pro 486 w/12V Pre Heater, 120V Overnight heater, and Water-In-Fuel Sensor (WIF) |