

DIESEL PRO® 245

PRODUCT DATA SHEET

DAVCO DIESEL PRO 245 is an all-in-one fuel filter, water separator, and fuel pre-heater for medium duty diesel engines with flow rates up to 60 gallons per hour.

The Diesel Pro 245, with an optional pre-heater or overnight heater and water-in-fuel sensor, will keep the engine running in any weather conditions.

“SEEING IS BELIEVING”® functionality and the clear cover on top provides enhanced fuel system troubleshooting and a clear indication of when to change the fuel filter.

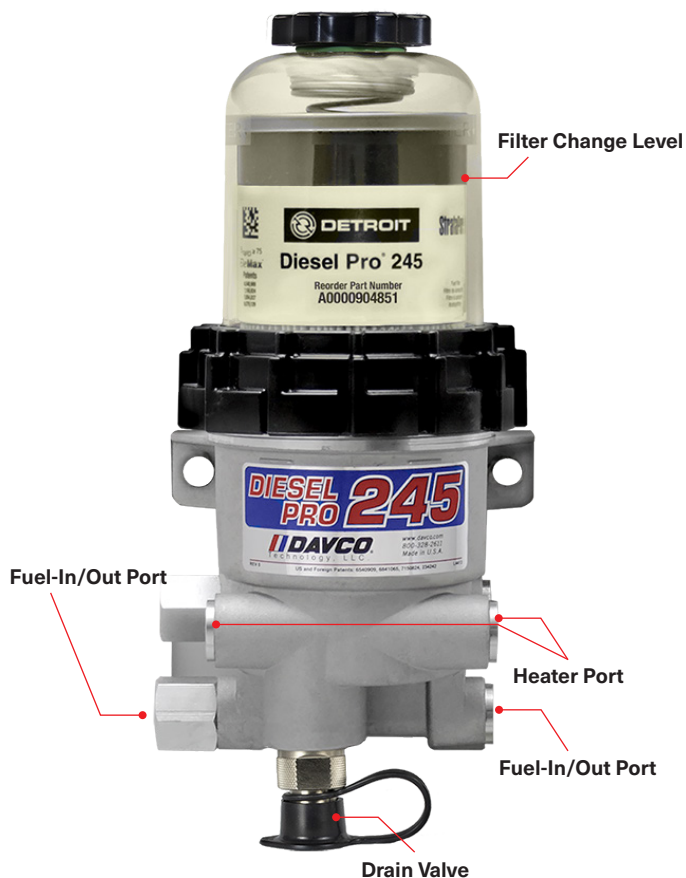
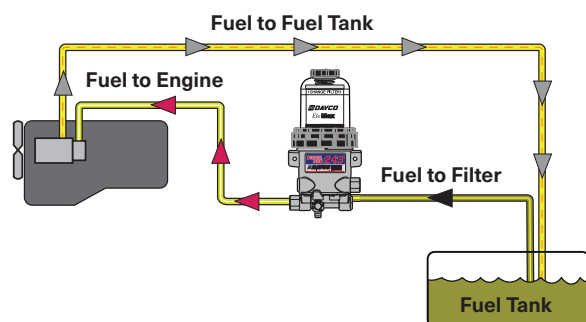
Applications

- Diesel engines with flow rates up to 60 gph

Models and Options

- Base Model - Unheated
- Electric Heat
 - 12VDC or 24VDC Pre-heater
 - or 120VAC Overnight heater
- Water-In-Fuel (WIF) sensor

Typical Installation



How It Works

- Fuel from the tank enters the fuel processor body.
- Large contaminants and “free” water are separated and remain in the body.
- Fuel rises into the clear cover area.
- Contaminants and emulsified water are captured by the filter media.
- Fuel level rises to maintain a fuel path through clean filter media (path of least resistance).
- Clean, water free, fuel exits the fuel processor to the engine fuel injection system.



A **Clariance Technologies** Company

DAVCO Technology, LLC

1600 Woodland Drive, Saline, MI 48176-1629

800-328-2611

customerservice@davco.com

www.davco.com

DIESEL PRO® 245

Specifications

Height, Overall	13.37 in. (339.5 mm)
Depth, Overall	5.84 in. (148.3 mm)
Width, Maximum	6.2 in. (158 mm)
Weight, Dry	7.7-8.5 lbs.
Filter Service Clearance, Minimum	3.5 in. (88.9 mm)
Fuel Flow, Maximum	60 gph
Electric Pre-heater	12VDC 195W or 12VDC 155W
Overnight heater	120VAC, 75 W, .65 A

Filtration Performance

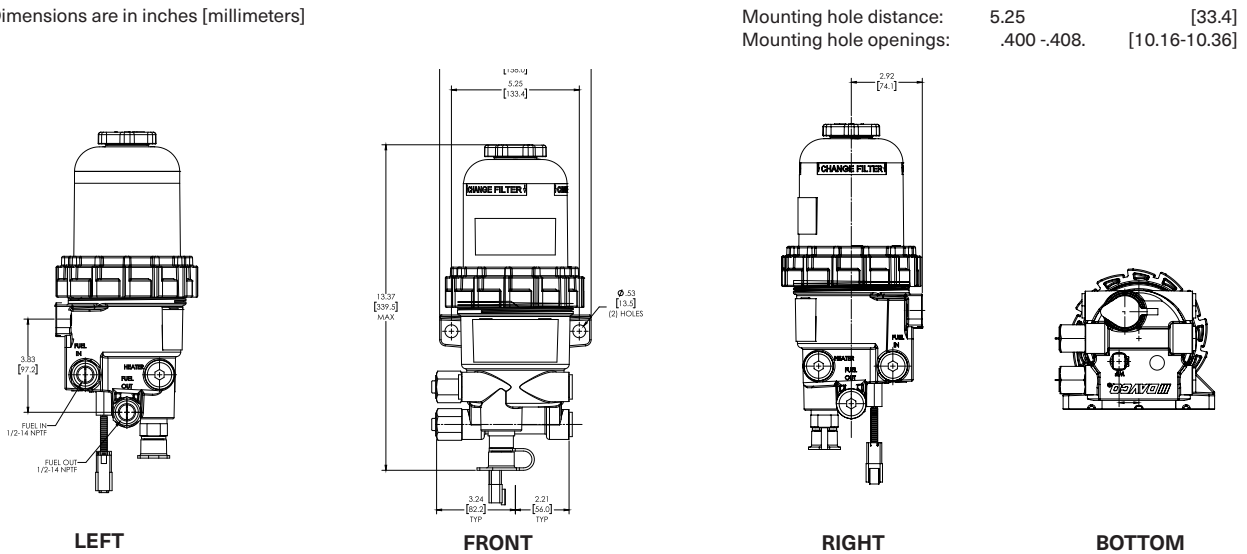
Micron	8
Coarse Water Removal (%)	>98%
Emulsified water removal (%)	>93%
Dirt holding capacity (grams)	104

Port Interface

Fuel In	3/8"-18 NPTF or 1/2"-14 NPTF
Fuel Out	3/8"-18 NPTF or 1/2"-14 NPTF

Dimensions

Dimensions are in inches [millimeters]



“SEEING IS BELIEVING”®



When new, the fuel level in the filter will be very low with minimal restriction. As the filter is used, contaminants collect on the filter from the bottom up. Fuel rises on the filter indicating remaining filter life.



Fuel level increases in clear cover. As contaminants collect on the filter, the fuel rises to a non-contaminated section of the filter, providing optimal filtration while maintaining lowest restriction.



Fuel level at filter wrap level. Even though the fuel level is now more than half of the filter element, the fuel is still flowing through clean media at minimal restriction levels. The filter still has significant life remaining.



The filter element is now completely covered by fuel. At this point, all of the media's surface area is utilized. Restriction is increasing and the filter element should be changed at the next scheduled maintenance interval.

DAVCO Technology, LLC

1600 Woodland Drive, Saline, MI 48176-1629
800-328-2611

www.davco.com

customerservice@davco.com

F3515 REV A
Updated on 08/12/2021