

FUEL PRO® 385

PRODUCT DATA SHEET

DAVCO FUEL PRO 385 provides filtration and fuel water separation for diesel engines with flow rates up to 180 gallons per hour.

The Fuel Pro 385 is designed specifically for Daimler Trucks, with an optional pre-heater, overnight heater and water-in-fuel sensor.

Three layer filter design, with filtration to 10 microns, provides enhanced water separation capabilities for ultra-low sulfur diesel fuel with low interfacial tension.

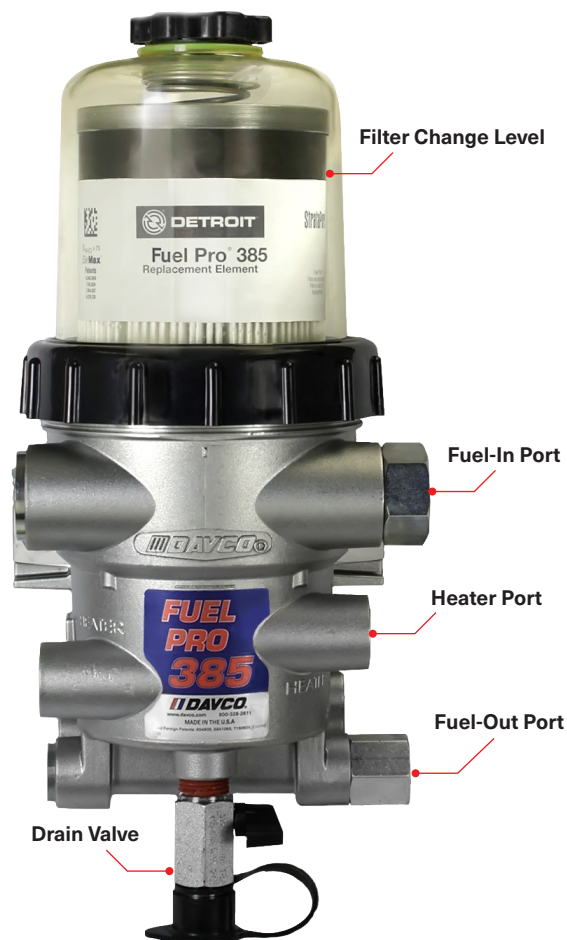
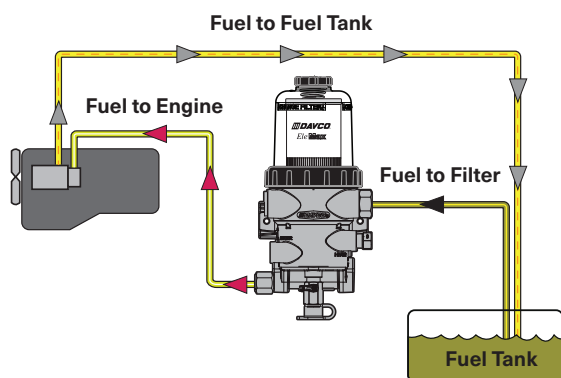
Applications

- Daimler Trucks with flow rates up to 180 gph

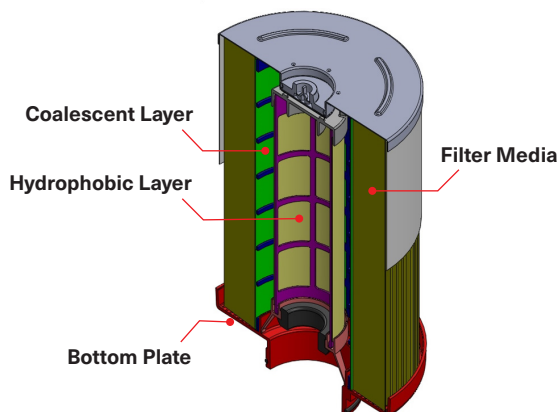
Models and Options

- Base Model — Unheated
- 12VDC — uses ignition switch to heat fuel prior to running the engine
- 120VAC Overnight heater — prevents gelling while parked overnight
- Water-In-Fuel (WIF) sensor

Typical Installation



Filter Technology



A Clariance Technologies Company

DAVCO Technology, LLC

1600 Woodland Drive, Saline, MI 48176-1629

800-328-2611

customerservice@davco.com

www.davco.com

FUEL PRO® 385

Specifications

Height, Overall	15.39 (390.8 mm)
Depth, Overall	6.58 inches (167.1 mm)
Width, Maximum	7.19 inches (182.63 mm)
Weight, Dry	Approx. 8-12 lbs
Minimum Service Height	3.5 inches (38.1mm)
Max Fuel Flow	180 gph
Pre-heater	12VDC, 155W or 195W
Overnight heater	120VAC, 75W

Filtration Performance (10 micron at 174 GPH)

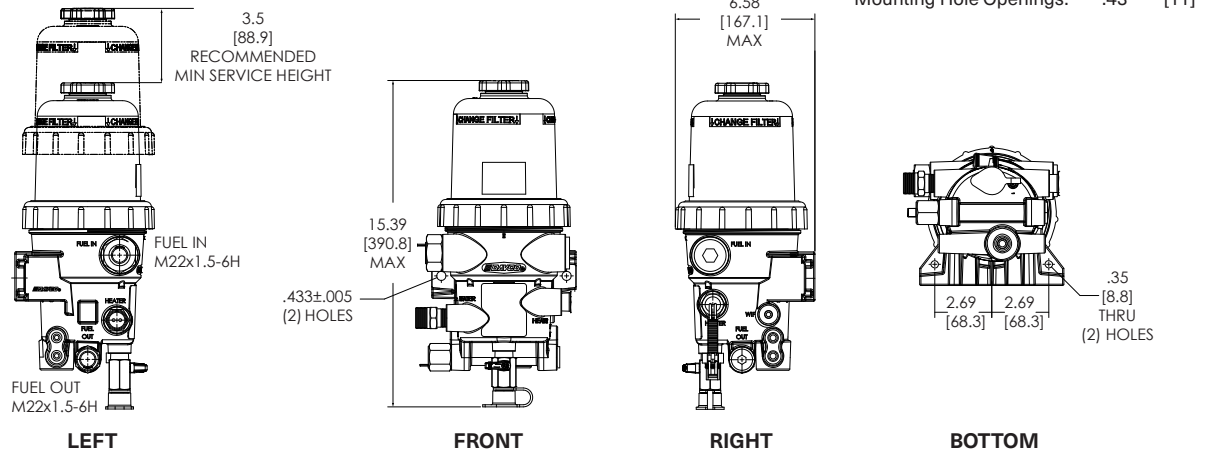
Emulsified Water Removal	SAE J1488 is 96.9%
Dirt Holding Capacity	89 grams

Port Interface

Fuel In	M22x 1.5-6H
Fuel Out	M22x 1.5-6H

Dimensions

Dimensions are in inches [millimeters]



Part Numbers

DAVCO PART NUMBER	DTNA PART NUMBER	FUEL IN/FUEL OUT	OPTIONS
385050LLFTL-08	03-43461-000	Left/Left	Unheated
385050RRFTL-08	03-43461-006	Right/Right	Unheated
385052LLFTL-08	03-43461-001	Left/Left	12V Pre-Heater
385052RRFTL-08	03-43461-007	Right/Right	12V Pre-Heater
385062LLFTL-08	03-43461-002	Left/Left	12V Pre-Heater and 120V Overnight Heater
385062RRFTL-08	03-43461-008	Right/Right	12V Pre-Heater and 120V Overnight Heater
386051LLFTL-08	03-43461-003	Left/Left	Water in Fuel Sensor
386051RRFTL-08	03-43461-009	Right/Right	Water in Fuel Sensor
386053LLFTL-08	03-43461-004	Left/Left	12V Pre-Heater and Water in Fuel Sensor
386053RRFTL-08	03-43461-010	Right/Right	12V Pre-Heater and Water in Fuel Sensor
386063LLFTL-08	03-43461-005	Left/Left	12V Pre-Heater, 120V Overnight Heater, Water in Fuel Sensor
386063RRFTL-08	03-43461-011	Right/Right	12V Pre-Heater, 120V Overnight Heater, Water in Fuel Sensor

DAVCO Technology, LLC

1600 Woodland Drive, Saline, MI 48176-1629
 800-328-2611 www.davco.com customerservice@davco.com

F3513 REV A
 Updated on 08/12/2021