

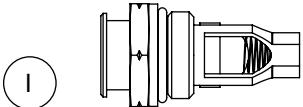
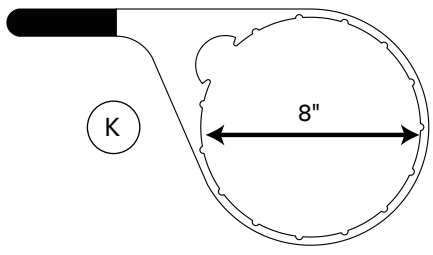
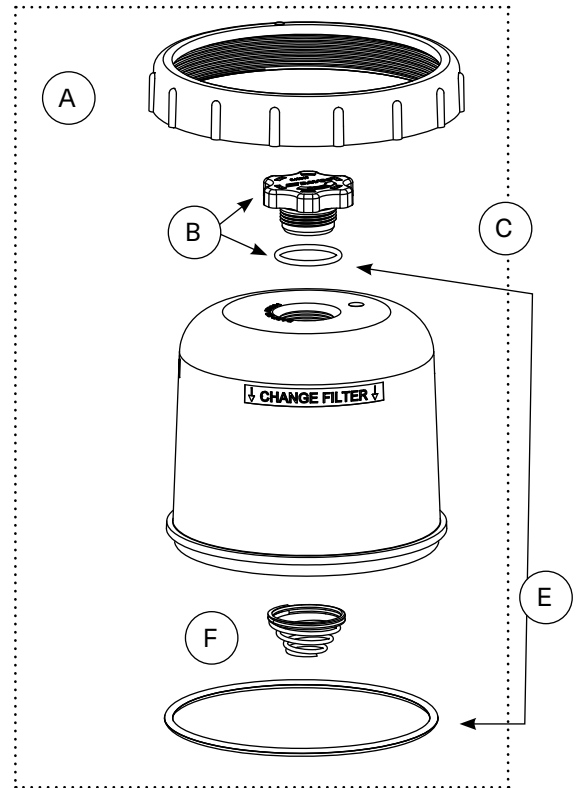
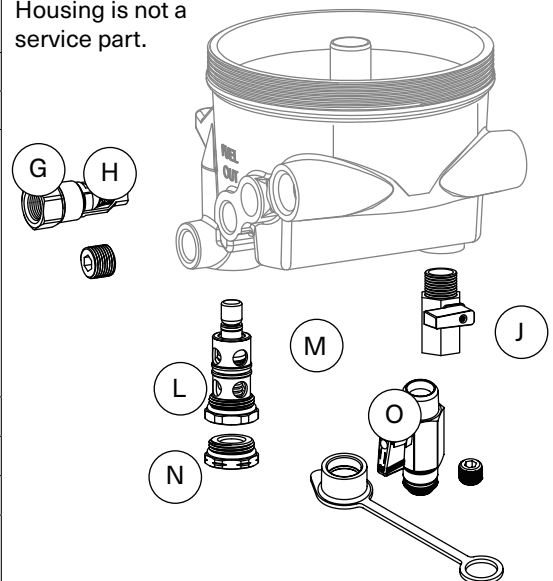


SERVICE PARTS AND KITS

A	482003SDVC	Collar
B	240023SDVC	Vent Cap Service Kit (vent cap and o-ring)
C	483047SDVC	Cover, Collar, Spring, Vent Cap and Vent Cap and Collar O-rings
E	482022DVC	O-ring Service Kit (Vent Cap/Collar)
F	380056DVC	Spring
G	101132DVC	Check Valve Service Kit (Includes Ball, Spring, and Retainer)
		
H	103071DVC	Check Valve Assembly (Includes Body and Check Valve Service Kit)
		
I	103209DVC	Voss Check Valve Assembly (2017 and new only)
		
J	102008DVC	Drain Valve
K	482017DVC	Collar Wrench
		
L	483029DVC	Therموالve
M	020909DVC	Coolant Port Plug (4 per kit)
N	101999DVC	Therموالve Port Cap
O	103603DVC	Combination Drain Kit (includes drain, dust cap and plug for use on units with cover with black band. Part number for unit contains an "E". Replaces ESOC fitting 102844)



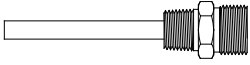
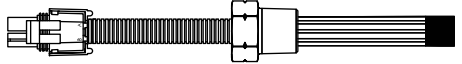


Housing is not a service part.





A Clariance Technologies Company

FUEL PRO[®] 483 SERVICE PARTS FOR PACCAR

HEATERS AND WATER-IN-FUEL (WIF) SENSORS		
102145DVC	120VAC 75W Overnight Heater, ½"-14 Threads	
103529DVC	12VDC 195W PTC Pre-heater, Weather Pack Connector, ½"-14 NPTF Threads, Harness Length 19.81"	
103111DAV	Two Pin WIF, Tyco/AMP Connector, ½"-20 UNF Threads, Harness Length 3.25" (Paccar)	
102521DVC	Two Pin WIF, Deutsch Connector (black), ½"-20 UNF Threads, Harness Length 3.36"	
103138DVC	Two Pin WIF, Tyco/AMP Connector, ½"-20 UNF Threads, Harness Length 10.50" (Paccar)	