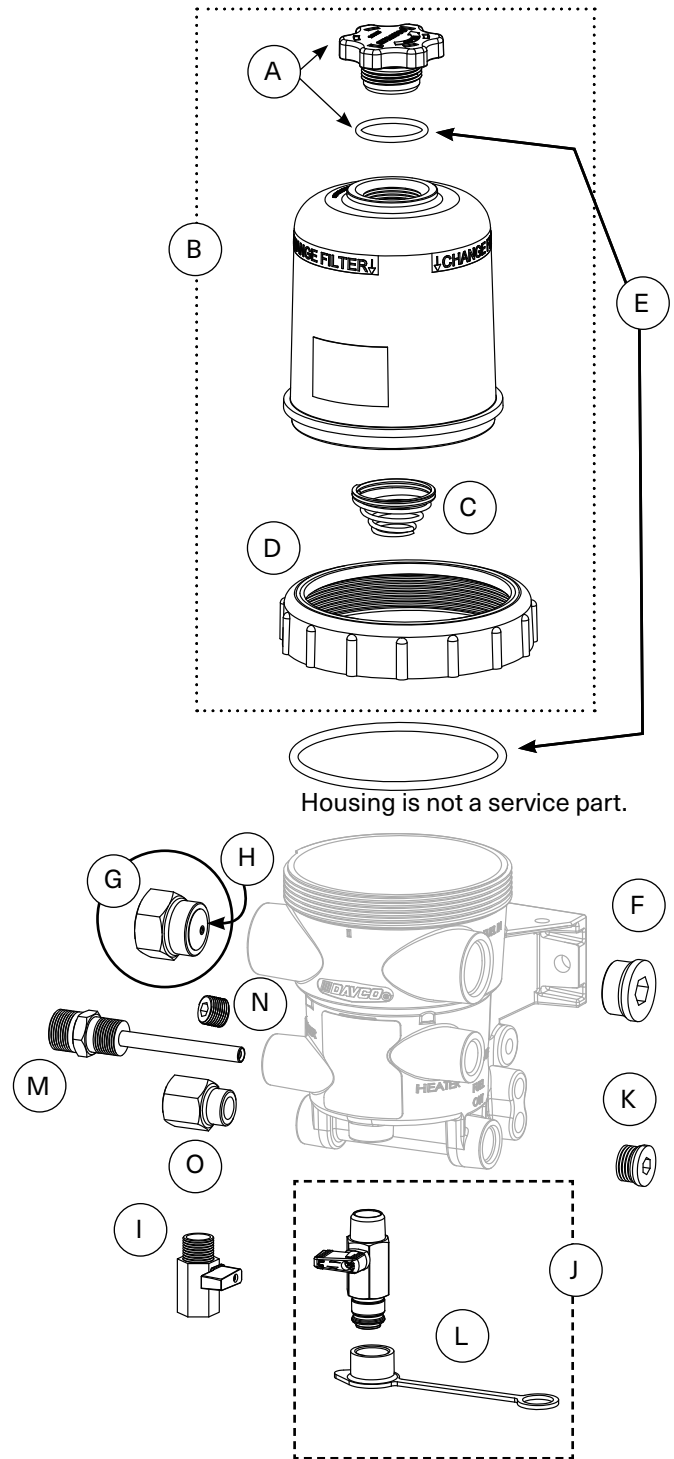
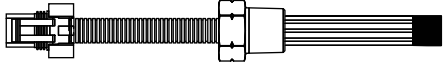



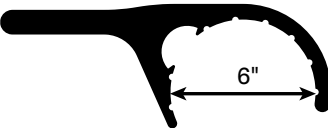
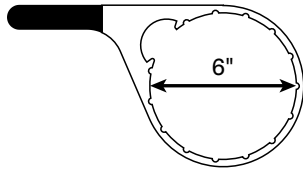
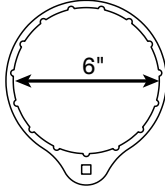
SERVICE PARTS AND KITS		
A	240023DAV	Vent Cap Service Kit (vent cap and o-ring)
B	385044DAV	Cover Service Kit (Collar, Spring, Vent Cap and Vent Cap O-ring - Collar o-ring not included)
C	380056DAV	Filter Spring
D	102425DAV	Collar
E	380072DAV	O-Ring Service Kit (Vent Cap/Cover)
F	385002DAV	Plug (Fuel-In)
G	385010DAV	Check Valve Assembly M22 (Includes Body and Umbrella Valve)
H	240003DAV	Umbrella Valve
I	102008DAV	Drain Valve (Threads: ½"-14 NPT)
J	103603DAV	Combination Drain Kit: includes drain, dust cap and plug.
K	102821SDAV	Plug 7/8"-14 (Fuel Out)
L	102712DAV	Dust Cap for Drain
M	102145DAV	120VAC 75W Overnight Heater, ½"-14 NPTF Threads
N	020909	Plug
O	245011DAV	Port Adapter 7/8"-14 to M22
	103528DAV	12VDC 195W PTC Pre-heater, Metri-Pack Connector, ½"-14 NPTF Threads, Harness Length 19.81" (shown on next page)
	102770DAV	Two Pin WIF, Metri-Pack Connector, ½"-20 UNF Threads, Harness Length 6.50" (Freightliner) (shown on next page)

Wrenches, WIFs, and heaters are on the following page.



PRE-HEATERS		
103528 DAV	12VDC 195W PTC Pre-heater, Metri-Pack Connector, ½"-14 NPTF Threads, Harness Length 19.81"	

WATER-IN-FUEL (WIF) SENSOR		
102770DAV	Two Pin WIF, Metri-Pack Connector, ½"-20 UNF Threads, Harness Length 6.50" (Freightliner)	

DAVCO COLLAR WRENCHES FOR FUEL PRO 385 MODELS		
Composite Wrench	Metal Wrench with Handle	Heavy Duty Wrench, ⅜" thick. Use with a ⅜" socket wrench drive.
		
P/N 380134DAV	P/N 382002DAV	P/N 382152DAV