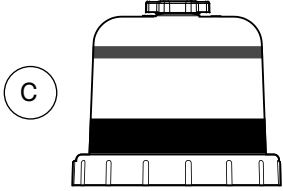

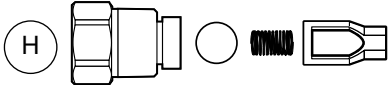
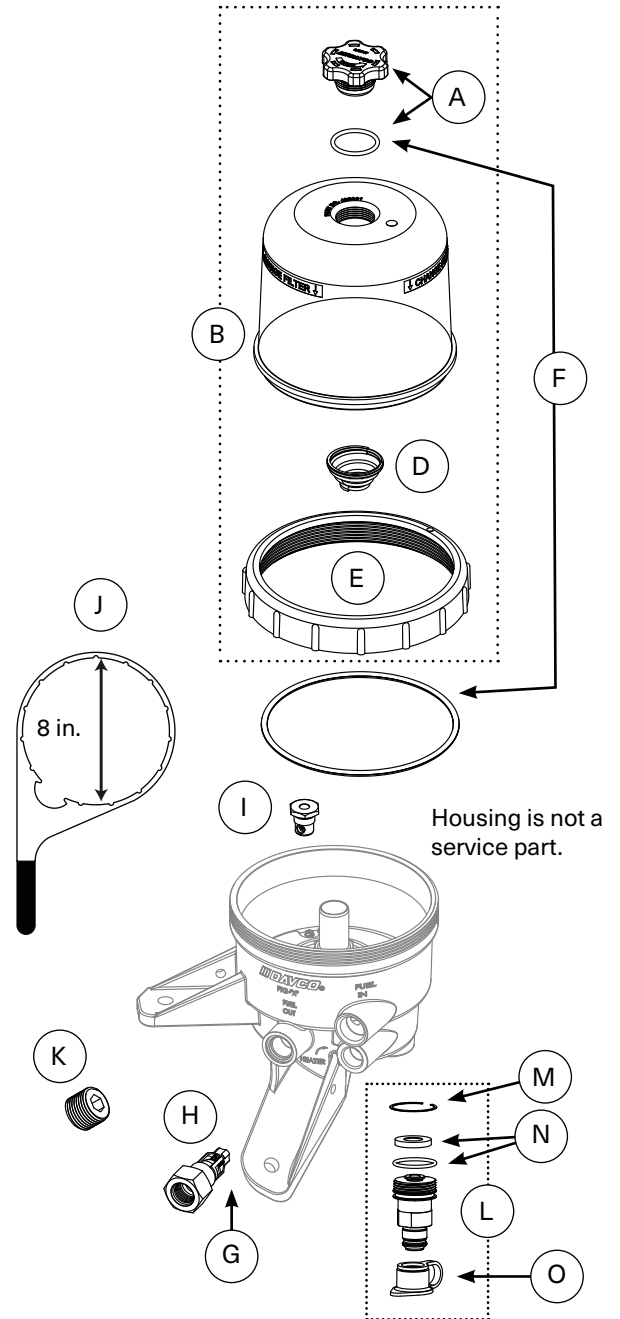


SERVICE PARTS AND KITS		
A	DVC 240023DAV	Vent Cap Service Kit (vent cap and o-ring)
B	DVC 482044	Cover Service Kit (Collar, Spring, Vent Cap and Vent Cap O-ring - Collar o-ring not included)
C	DVC 482046DAV	Cover with Red Stripe and Black Band (Collar, Spring, Vent Cap and Vent Cap O-ring, Collar o-ring)
		
D	DVC 380056	Filter Spring
E	DVC 482003	Collar
F	DVC 482022	O-Ring Service Kit (Vent Cap/Cover)
G	DVC 101132	Check Valve Service Kit (Ball, Spring, and Retainer)
		
H	DVC 482012	Check Valve Assembly (M22) (Body and Check Valve Service Kit)
		
I	DVC 482010SVC	Bypass Valve
J	DVC 482017	Collar Wrench
K	DVC 020909	Plug
L	DVC 485022DAV	Quick Connect Drain Valve - Includes: valve body, retaining ring (N), both seals (O), drain valve and protective cap (P)
M	DVC 485025DAV	Retaining Ring
N	DVC 485021DAV	Drain Valve Seal Service Kit
O	DVC 102712DAV	Drain Valve Dust Cap
<p><b>Pre-heater, Overnight Heater, and Water in Fuel Sensor (WIF) information is on the next page.</b></p>		

PARTS ARE AVAILABLE THROUGH  
DAIMLER TRUCKS NORTH AMERICA



PRE-HEATER PARTS		
103528DAV	12VDC 195W PTC Pre-heater, Metri-Pack Connector, ½"-14 NPTF Threads, Harness Length 19.81"	
103594DAV	12VDC 155W PTC Pre-heater, Metri-Pack Connector, ½"-14 NPTF Threads, Harness Length 24.50"	
102376DAV	Pre-heater Chassis Harness, Metri-Pack Connector, Wire Lengths 24" and 180"	
OVERNIGHT HEATER PARTS		
102145DAV	120VAC 75W Overnight Heater, ½"-14 NPTF Threads	
102015DAV	120VAC Overnight Heater "Y" Cord, Cord lengths: 84" and 120"	
101868DAV	120VAC Overnight Heater Straight Cord, Cord length: 72"	
WATER-IN-FUEL (WIF) SENSOR		
102770DAV	Two Pin WIF, Metri-Pack Connector, ½"-20 UNF Threads, Harness Length 6.50" (Freightliner)	