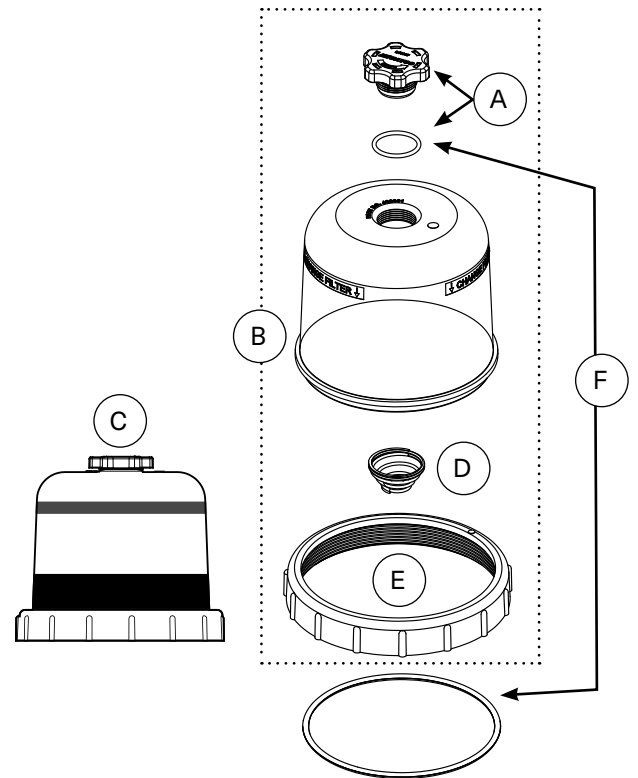
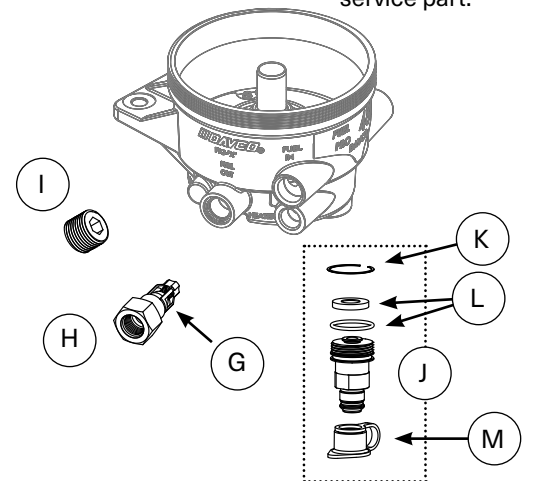


SERVICE PARTS AND KITS		
A	240023DAV	Vent Cap Service Kit (vent cap and o-ring)
B	482044DAV	Cover Service Kit (Collar, Spring, Vent Cap and Vent Cap O-ring - Collar o-ring not included)
C	482046DAV	Cover with Red Stripe and Black Band (Collar, Spring, Vent Cap and Vent Cap O-ring, Collar o-ring)
D	380056DAV	Filter Spring
E	482003DAV	Collar
F	482022DAV	O-Ring Service Kit (Vent Cap/Cover)
G	101132DAV	Check Valve Service Kit (Ball, Spring, and Retainer)
H	103071DAV	Check Valve Assembly (Body and Check Valve Service Kit)
I	020909DAV	Plug
J	485022DAV	Quick Connect Drain Valve - Includes: valve body, retaining ring (L), both seals (M), drain valve and protective cap (N)
K	485025DAV	Retaining Ring
L	485021DAV	Drain Valve Seal Service Kit
M	102712DAV	Drain Valve Dust Cap
<b>Pre-heater, Overnight Heater, and Water in Fuel Sensor (WIF) information is on the next page.</b>		



Housing is not a service part.






COLLAR WRENCHES	
P/N 482017DAV	P/N 488001DAV
Metal Wrench	Heavy Duty Wrench, 3/8" thick. Use with a 3/8" socket wrench drive.

PRE-HEATER PARTS		
103528 DAV	12VDC 195W PTC Pre-heater, Metri-Pack Connector, ½"-14 NPTF Threads, Harness Length 19.81"	
103529 DAV	12VDC 195W PTC Pre-heater, Weather Pack Connector, ½"-14 NPTF Threads, Harness Length 19.81"	
102220 DAV	Pre-heater Chassis Harness, Weather Pack Connector, Wire Lengths 24" and 180"	
102376 DAV	Pre-heater Chassis Harness, Metri-Pack Connector, Wire Lengths 24" and 180"	
OVERNIGHT HEATER PARTS		
102145 DAV	120VAC 75W Overnight Heater, ½"-14 Threads	
102015 DAV	120VAC Overnight Heater "Y" Cord, Cord lengths: 84" and 120"	
101868 DAV	120VAC Overnight Heater Straight Cord, Cord length: 72"	



A Clariance Technologies Company

# FUEL PRO<sup>®</sup> 488 SERVICE PART NUMBERS

WATER-IN-FUEL (WIF) SENSOR		
102512DAV	Two Pin WIF, Deutsch Connector (gray), 1/2"-20 UNF Threads, Harness Length 3.36"	
102521DAV	Two Pin WIF, Deutsch Connector (black), 1/2"-20 UNF Threads, Harness Length 3.36"	
103445DAV	Two Pin Digital WIF, AMP Connector, 1/2"-20 UNF Threads, Harness Length 7.25" (Navistar, replaces 102871DAV)	
102600DAV	Two Pin WIF Wiring Harness (Used with 102512DAV and 102521DAV) Deutsch Connector Wire Lengths 12" and 72"	