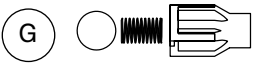



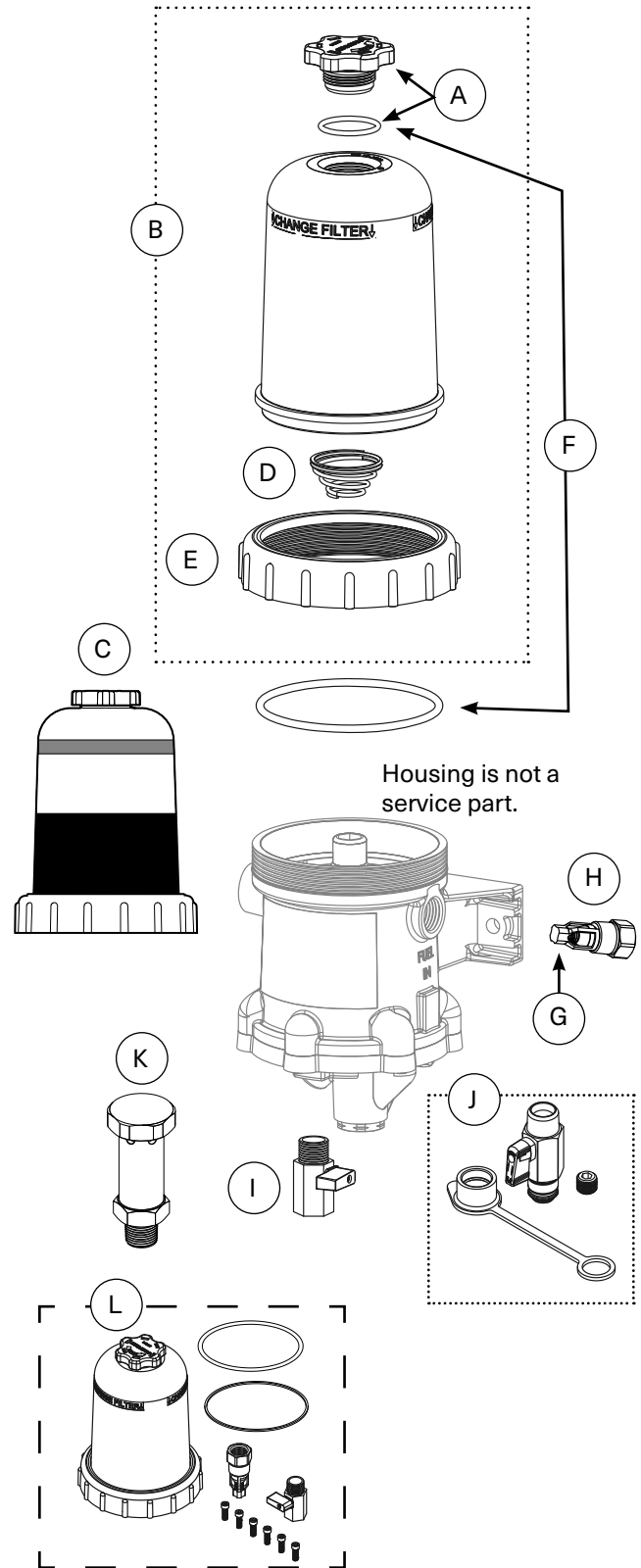
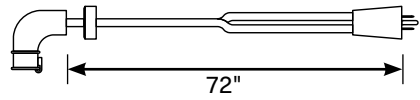
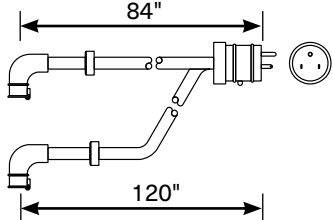
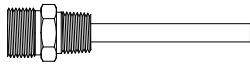
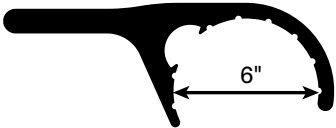
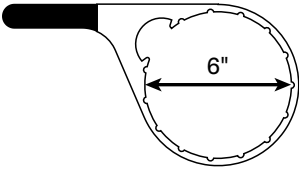
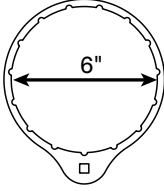


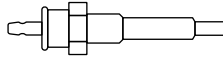


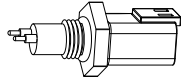

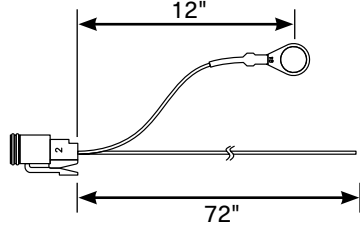


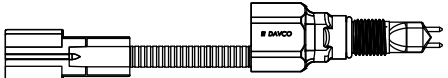
| SERVICE PARTS AND KITS | | |
|---|-----------|---|
| A | 240023DAV | Vent Cap Service Kit (vent cap and o-ring) |
| B | 103100DAV | Cover Service Kit (Collar, Spring, Vent Cap and Vent Cap O-ring - Collar o-ring not included) |
| C | 103101DAV | Cover with Red Stripe and Black Band (Collar, Spring, Vent Cap and Vent Cap O-ring, Collar o-ring) |
| D | 380056DAV | Filter Spring |
| E | 102425DAV | Collar |
| F | 380072DAV | O-Ring Service Kit (Vent Cap/Cover) |
| G | 101132DAV | Check Valve Service Kit (Ball, Spring, and Retainer) |
|  | | |
| H | 103071DAV | Check Valve Assembly (Body and Check Valve Service Kit) |
|  | | |
| H | 103209PAC | Voss Check Valve Assembly (for PACCAR, 2017 and new only) |
|  | | |
| H | 103102DAV | Voss Check Valve Assembly (for Navistar) |
|  | | |
| I | 102008DAV | Drain Valve (Threads: 1/2"-14 NPT) |
| J | 103603DAV | Combination Drain Kit (includes drain, dust cap and plug for use on units with cover with black band. Part number for unit contains an "E". Replaces ESOC fitting 102844, except on Freightliner Trucks.) |
| K | 382160NAV | Check Valve Assembly with Hex Cap for Return Fuel Heat (for Navistar) |
| L | 382162DAV | Rebuild Kit: Includes: Cover Service Kit (Item B) Collar Seal Check Valve, Drain Valve, Bottom Plate Seal, Bottom Plate Bolts, and Instructions |
| <p>Pre-heater, Overnight Heater, Wrench, Bottom Plate, and Water in Fuel Sensor (WIF) information is on the following pages.</p> | | |



| PRE-HEATER PARTS | | |
|--|---|--|
| 102220DAV | Pre-heater Chassis Harness, Weather Pack Connector, Wire Lengths 24" and 180" | |
| 102376DAV | Pre-heater Chassis Harness, Metri-Pack Connector, Wire Lengths 24" and 180" | |
| 102691DAV | Kit includes: 103529-12VDC 195W PTC Pre-heater, Weather Pack Connector, 1/2"-14 NPTF Threads, Harness Length 19.31", seals, plug, and clamp, Pre-heater Chassis Harness, Weather Pack Connector, Lengths 24" and 180" | |
| 102692DAV | Kit includes: 24VDC 195W PTC Pre-heater, Weather Pack Connector, 1/2"-14 NPTF Threads, Harness Length 19.81" (103505 - terracotta color connector), seals, and plug | |
| 102693DAV | Kit includes: 12VDC 195W PTC Pre-heater, Metri-Pack Connector, 1/2"-14 NPTF Threads, Harness Length 19.81", seals, and plug | |
| 102694DAV | Kit includes: 12VDC 195W PTC Pre-heater, Weather Pack Connector, 1/2"-14 NPTF Threads, Harness Length 19.81", seals, and plug | |
| 103528DAV | 12VDC 195W PTC Pre-heater, Metri-Pack Connector, 1/2"-14 NPTF Threads, Harness Length 19.81" | |
| 103529DAV | 12VDC 195W PTC Pre-heater, Weather Pack Connector, 1/2"-14 NPTF Threads, Harness Length 19.81" | |
| 103594DAV | 12VDC 155W PTC Pre-heater, Metri-Pack Connector, 1/2"-14 NPTF Threads, Harness Length 24.50" | |
| <p>*Note: Visit www.davco.com, Form F1263 for 12VDC and 24VDC Pre-heater Parts for pre-heaters installed prior to 2007. For Specific OEM numbers for pre-heaters, contact customer support at 1-800-328-2611.</p> | | |

| OVERNIGHT HEATER PARTS | | |
|------------------------|---|---|
| 101868DAV | 120VAC Overnight Heater Straight Cord, Cord length: 72" |  |
| 102015DAV | 120VAC Overnight Heater "Y" Cord, Cord lengths: 84" and 120" |  |
| 102145DAV | 120VAC 75W Overnight Heater, 1/2"-14 NPTF Threads |  |

| COLLAR WRENCHES | | |
|--|--|--|
| P/N 382002DAV | P/N 380134DAV | P/N 382152DAV |
|  |  |  |
| Composite Wrench | Metal Wrench | Heavy Duty Wrench, 3/8" thick. Use with a 3/8" socket wrench drive. |

| WATER-IN-FUEL (WIF) SENSOR PARTS | | |
|----------------------------------|---|---|
| 101017PAC | One Pin WIF, 1/8"-27 NPTF Thread |  |
| 102512DAV | Two Pin WIF, Deutsch Connector (gray), 1/2"-20 UNF Threads, Harness Length 3.36" |  |
| 102521DAV | Two Pin WIF, Deutsch Connector (black), 1/2"-20 UNF Threads, Harness Length 3.36" |  |
| 102507DAV | Two Pin WIF, M14-2 Threads with Seal, Deutsch Connector (Fleetguard and Bus Applications) |  |
| 102519DAV | Two Pin WIF, Metri-Pack Connector, 1/2"-20 UNF Threads, Harness Length 17.5" (Freightliner) |  |
| 102600DAV | Two Pin WIF Wiring Harness (Used with 102512DAV and 102521 DAV) Deutsch Connector, Wire Lengths 12" and 72" |  |
| 102770DAV | Two Pin WIF, Metri-Pack Connector, 1/2"-20 UNF Threads, Harness Length 6.50" (Freightliner) |  |
| 103111DAV | Two Pin WIF, Tyco/AMP Connector, 1/2"-20 UNF Threads, Harness Length 3.25" (Paccar) |  |
| 103445DAV | Two Pin Digital WIF, AMP Connector, 1/2"-20 UNF Threads, Harness Length 7.25" (Navistar, replaces 102871 DAV) |  |

| BOTTOM PLATES FOR FLUID HEAT | | |
|--|---|--|
| 382029-23DAV | "Universal" (All Ports are machined.) Coolant Heat Ports (2), Threads: 3/8"-18 NPTF Pre-heater Ports (2), Threads: 1/2"-14 NPTF, plugs supplied WIF Port, Threads: 1/2"-20 UNF, plug supplied Drain Port, Threads: 1/2"-14 NPT (drain valve not supplied) 6 bolts, 1 square cut seal | |
| 382029SVCB | Coolant Heat Ports (2), Threads: 3/8"-18 NPTF Pre-heater Ports (2), Threads: 1/2"-14 NPTF, plugs supplied Drain Port, Threads: 1/2"-14 NPT (drain valve not supplied) 6 bolts, 1 square cut seal | |
| 382029-5SDAV | Coolant Heat Ports (2), Threads: 3/8"-18 NPTF WIF Port, Threads: 1/2"-20 UNF, plugs supplied Drain Port, Threads: 1/2"-14 NPT (drain valve not supplied) 6 bolts, 1 square cut seal | |
| 382029NAV | (Navistar Bottom Plate) Coolant Heat Ports, (2) Threads: 9/16"-18 UNF Pre-heater Ports (2), Threads: 1/2"-14 NPTF, plugs supplied WIF Port, Threads: 1/2"-20 UNF, plug supplied Drain Port, Threads: 1/2"-14 NPT (drain valve not supplied) 6 bolts, 1 square cut seal | |
| 382029-30DAV *Return fuel port: 3/8"-18 UNF | (Return Fuel Heat Bottom Plate) Drain port: 1/2"-14 NPTF (Drain valve not included) WIF Port, Threads: 1/2"-20 UNF, plug supplied | |
| 382029-30NAV *Return fuel port: 9/16"-18 UNF for Navistar | Pre-heater Ports (2), Threads: 1/2"-14 NPTF, plugs supplied Overnight Heater Ports: Threads: 1/2"-14 NPTF, plugs supplied 6 bolts, 1 square cut seal | |
| BOTTOM PLATE (BOLT-ON) FOR FUEL PRO 382 WITHOUT FLUID HEAT | | |
| 382027-28DAV | Pre-heater Ports (2), Threads: 1/2"-14 NPTF, plugs supplied WIF Port, Threads: 1/2"-20 UNF, plug supplied, WIF Port, Threads: M14, plug supplied, Drain Port, Threads: 1/2"-14 NPT (Drain valve not supplied) 6 bolts, 1 square cut seal | |
| BOTTOM PLATE SEALS | | |
| 101994DAV | Seal, round, bottom collar | |
| 910005DAV | Seal, square cut, bolt on | |