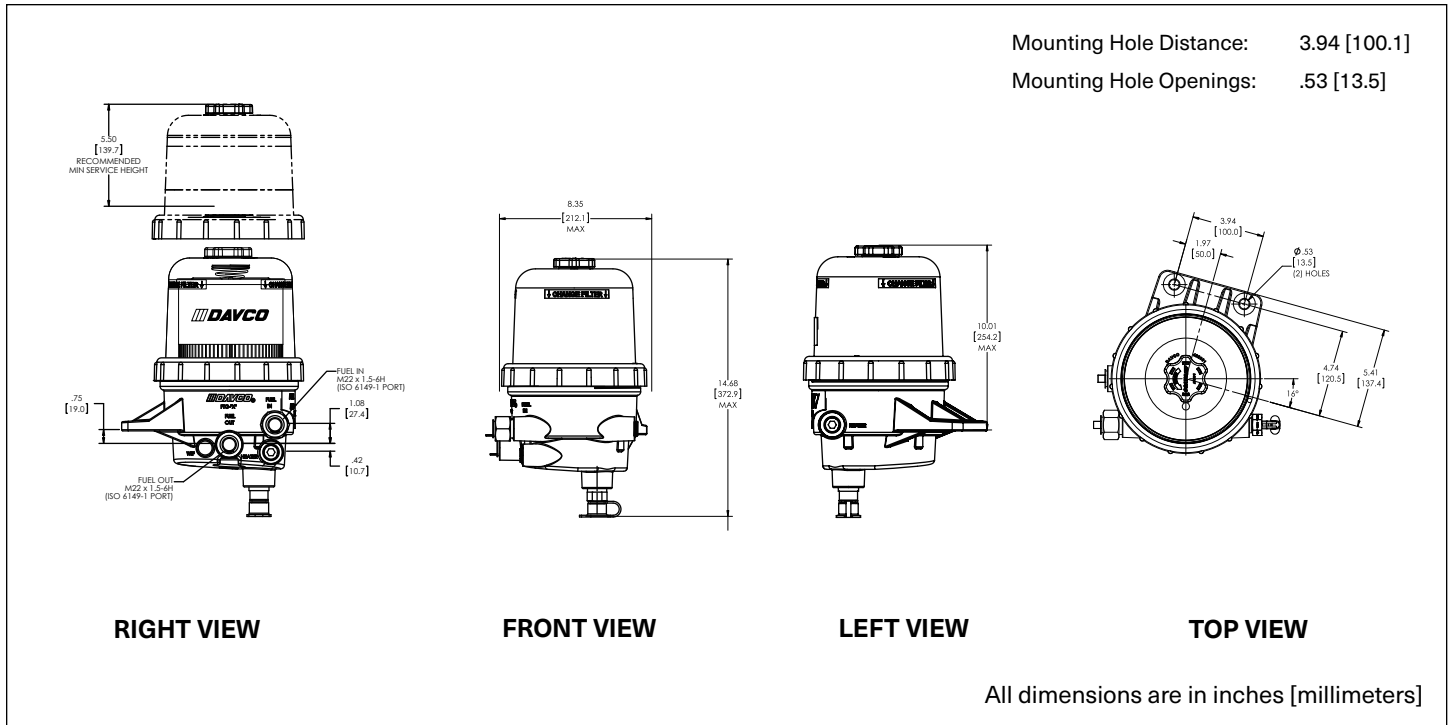




A Clariance Technologies Company

FUEL PRO 487 DIMENSIONS AND SPECIFICATIONS



| SPECIFICATIONS | |
|-----------------------------------|--------------------------------------|
| Height, Overall | 14.68 in. (372.87 mm) |
| Depth, Overall | 9.92 in. (252 mm) |
| Width, Maximum | 8.6 in. (218.4 mm) |
| Mount Bracket Centers | 3.94 in. (100 mm) |
| Weight, Dry | Approx. 11 lb. |
| Filter Service Clearance, Minimum | 5.5 in. (139 mm) |
| Fuel Flow, Maximum | 180 gph |
| Electric Pre-heater | 12VDC (155W or 195W) or 24VDC (195W) |
| Overnight heater | 120VAC, 75 W, .65 A |

| PORT INTERFACE | |
|---------------------|-------------|
| Fuel In Connection | M22 x 15-6H |
| Fuel Out Connection | M22 x 15-6H |

| FILTRATION PERFORMANCE AT 174 GPH | |
|---|------|
| Micron | 8 |
| Coarse water removal (%) | >99% |
| Emulsified water removal (%) | >93% |
| % Emulsified water removal (end of life filter) | >80% |
| Dirt holding capacity (grams) | 150 |

