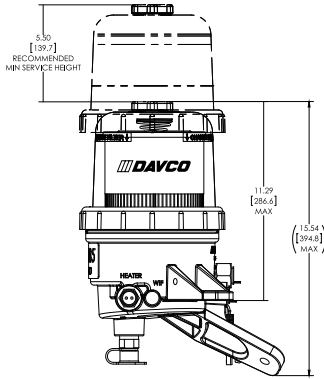




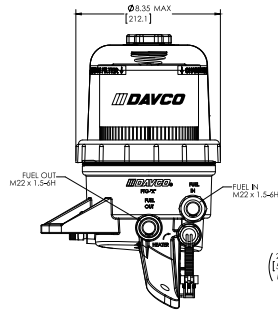
A Clariance Technologies Company

FUEL PRO 485 DIMENSIONS AND SPECIFICATIONS

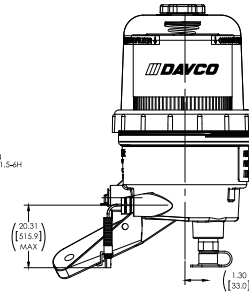
All dimensions are in inches [millimeters]



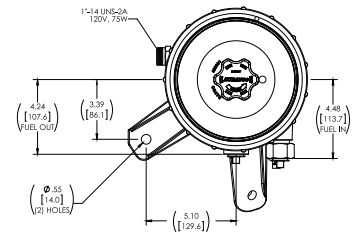
RIGHT VIEW



FRONT VIEW



LEFT VIEW



TOP VIEW

SPECIFICATIONS	
Height, Overall	15.54 in. (394.8 mm)
Depth, Overall	10.34 in. (262.6 mm)
Width, Maximum	11.62 in. (295.1 mm)
Weight, Dry	10.35 lbs
Filter Service Clearance, Minimum	5.5 in. (262.6 mm)
Fuel Flow, Maximum	180 gph
Electric Pre-heater	12VDC (155W or 195W) or 24VDC (195W)
Overnight heater	120VAC, 75 W, .65 A

PORT INTERFACE	
Fuel In Connection	M22 x 15-6H
Fuel Out Connection	M22 x 15-6H

FILTRATION PERFORMANCE AT 174 GPH	
Micron	8
Coarse water removal (%)	>99%
Emulsified water removal (%)	>93%
% Emulsified water removal (end of life filter)	>80%
Dirt holding capacity (grams)	150

